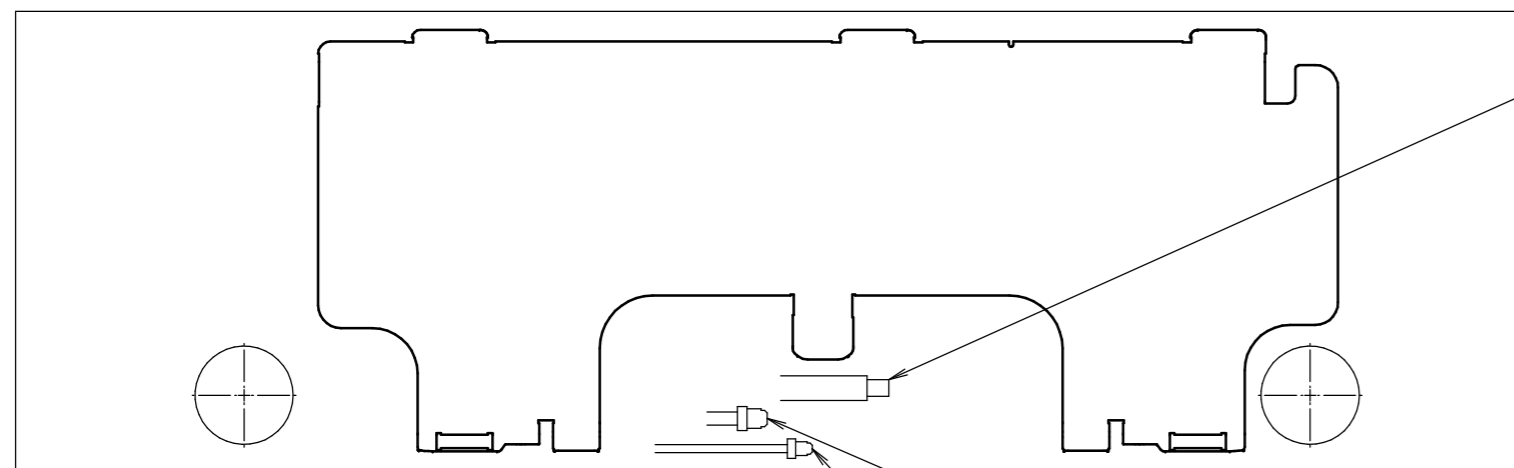
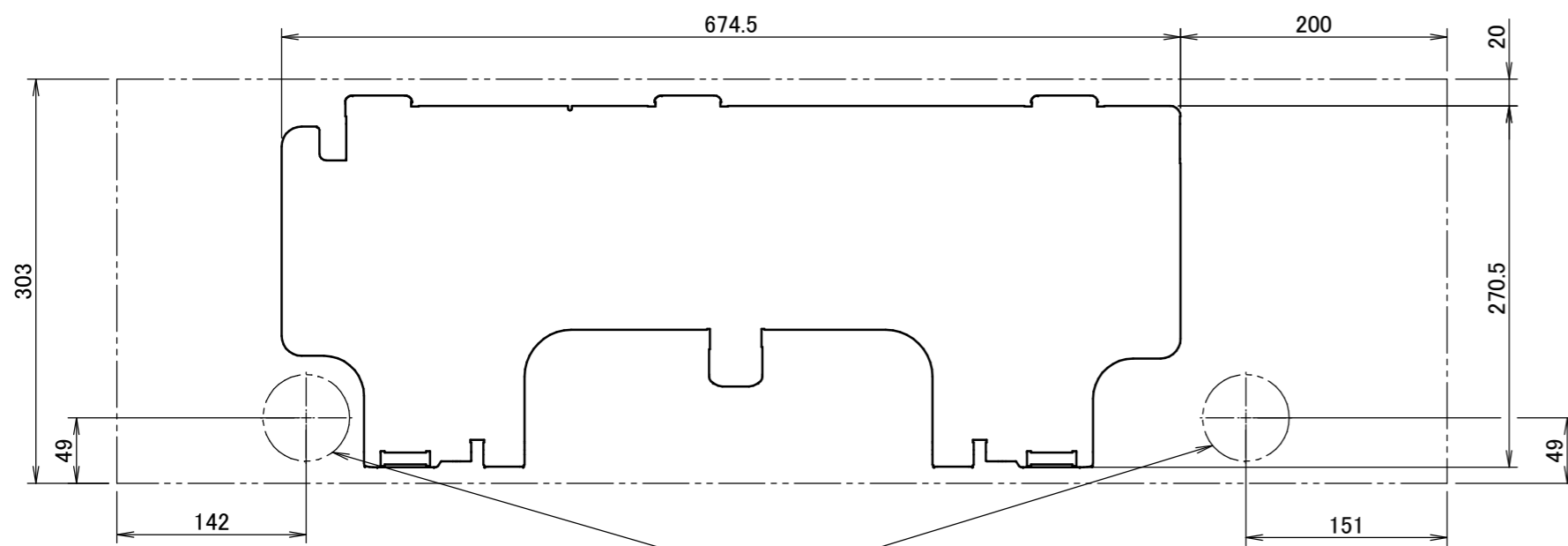


### Bottom view

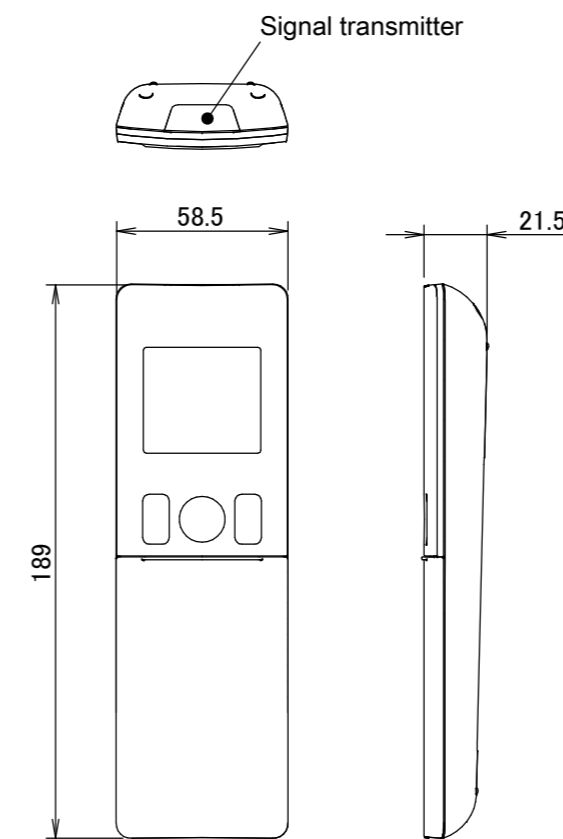


### Standard location of holes in the wall

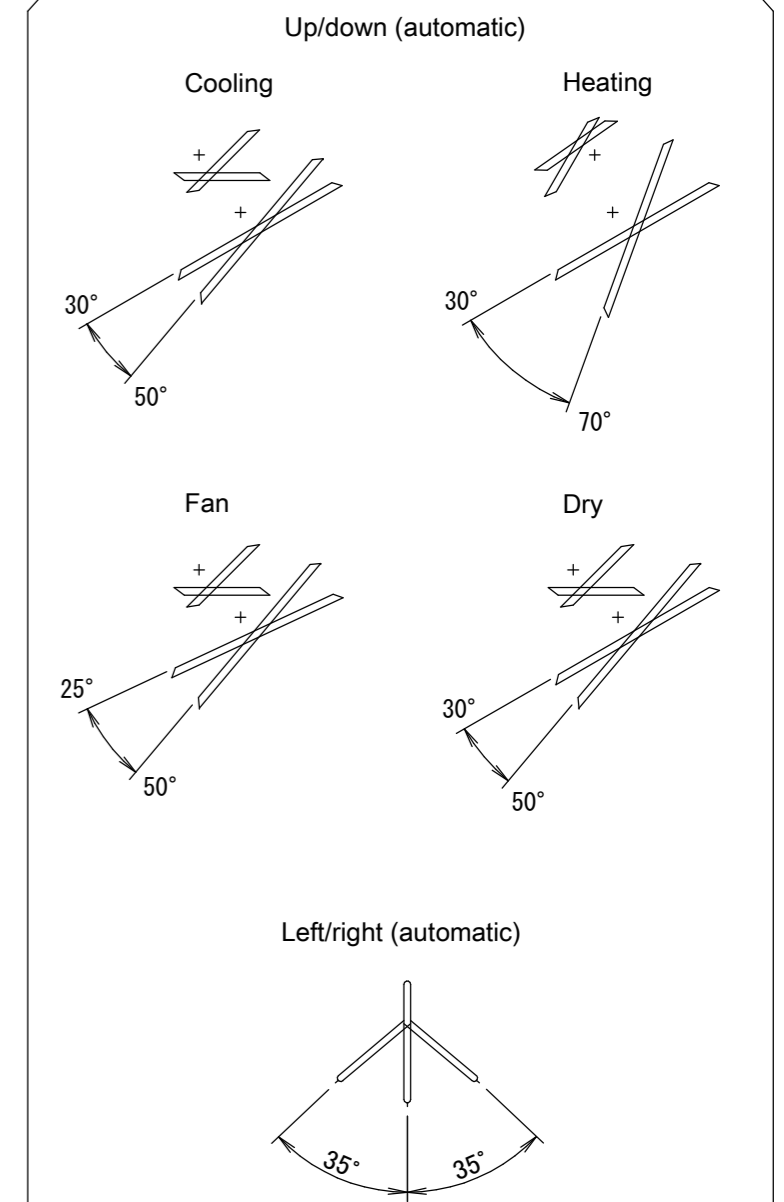


- Notes
1. The  $(\rightarrow)$  mark shows the piping direction.
  2. In this case, the optional grille is required.
  3. In this case, cut the grille according to the paper pattern.

### Wireless remote control (ARC466A9)



### Blade angle



### Required space for service and ventilation

